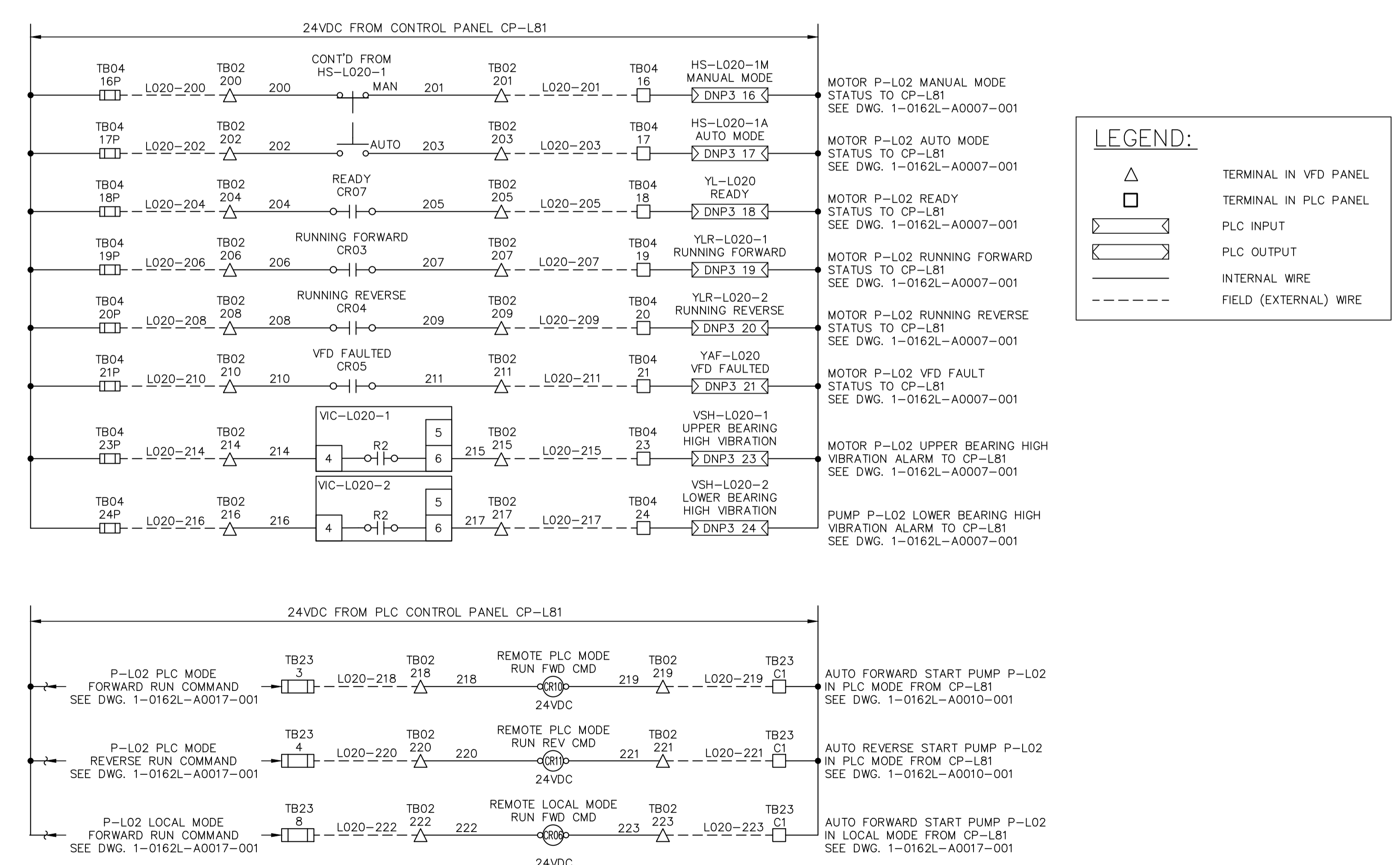
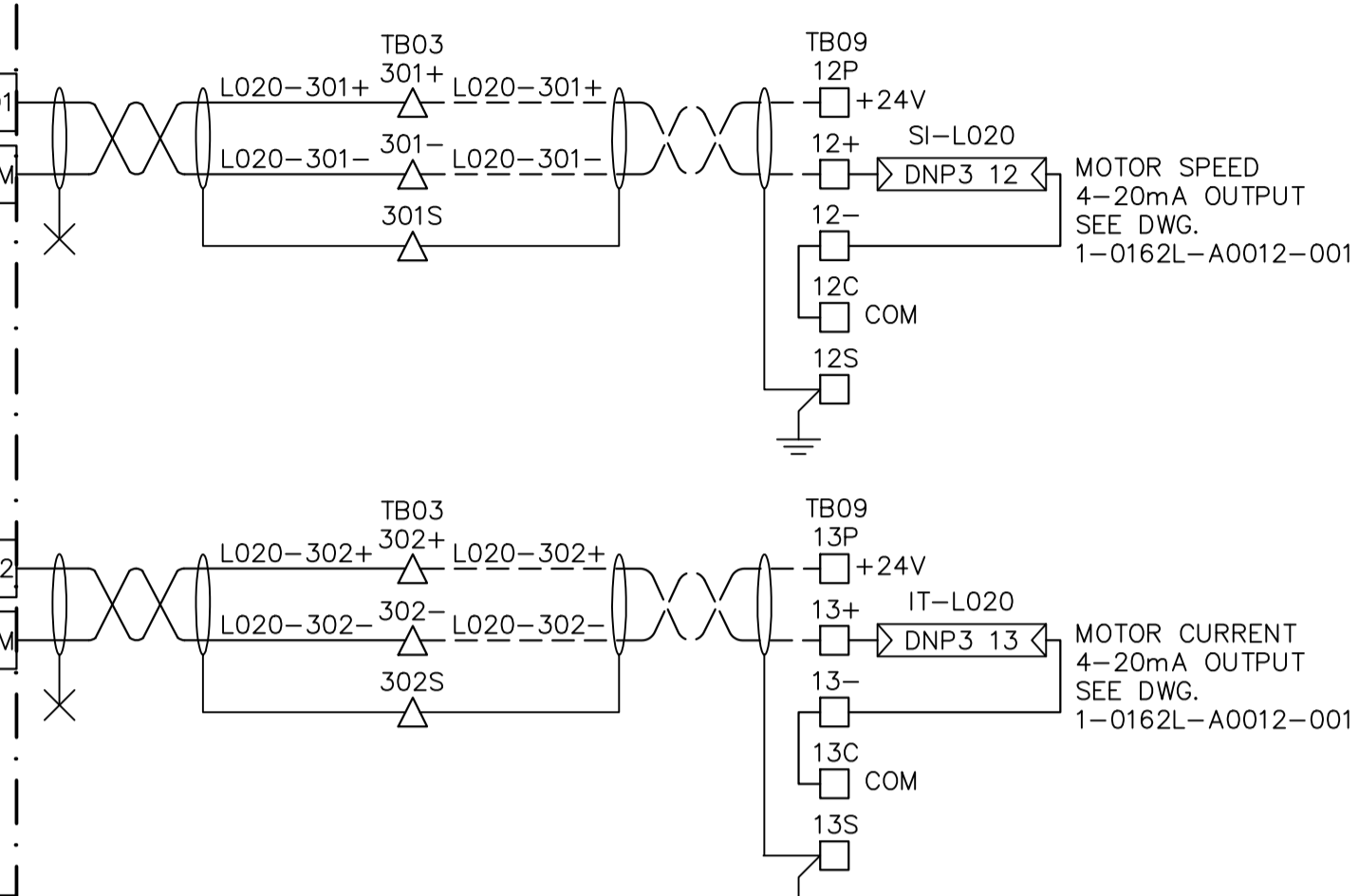


- GENERAL NOTES:**
- PILOT LIGHT SHALL HAVE A PUSH-TO-TEST FEATURE WIRED IN THAT IS NOT SHOWN ON THIS DRAWING.
 - PUMP HAS MOTOR (NON-DRIVE END) BEARING AND PUMP (DRIVE END) BEARING VIBRATION LOCKOUTS WIRED INTO THE READY CIRCUIT. THE VIBRATION LOCKOUTS ARE CURRENTLY DISABLED AT THIS TIME. PROVIDE A LABEL ON THE DOOR INDICATING VIBRATION LOCKOUTS ARE DISABLED.
 - AUXILIARY CONTACT ON DISCONNECT SHALL OPEN BEFORE MAINS ON DISCONNECT OPEN. AUXILIARY CONTACT SHALL CLOSE AFTER MAINS ON DISCONNECT CLOSE.



LEGEND:

- △ TERMINAL IN VFD PANEL
- TERMINAL IN PLC PANEL
- ▭ PLC INPUT
- ▭ PLC OUTPUT
- INTERNAL WIRE
- - - - FIELD (EXTERNAL) WIRE

10	-	-
9	-	-
8	-	-
7	-	-
6	-	-
5	-	-
4	1-0162L-E0010	MCC ELEVATION AND DETAILS MCC-L71
3	1-0162L-P0001-002	PROCESS WASTEWATER PUMPING
2	1-0162L-E0015	MOTOR STARTER CONNECTION DIAGRAM LIFT PUMP P-L02
1	1-0162L-E0003	SINGLE LINE DIAGRAM
NO.	DRAWING NUMBER	REFERENCE DRAWING TITLE

ENGINEERS GEOSCIENTISTS MANITOBA
 Certificate of Authorization
 KGS Group
 No. 245

B.M. ELEV.	
DESIGNED BY	A. NIRMAL
CHECKED BY	DDW
DRAWN BY	R. GASPAR
APPROVED BY	DDW
SCALE:	HORIZONTAL NTS
	VERTICAL NTS
RELEASED FOR CONSTRUCTION	
DATE	2022/07/27
PLOT DATE:	2023 04 17

KGS GROUP

ENGINEERS SEAL

CONSULTANT DRAWING NUMBER: 22-0107-004-E14.01

THE CITY OF WINNIPEG
 WATER AND WASTE DEPARTMENT
 ENGINEERING DIVISION

METCALFE LIFT PUMPING STATION
 2022 UPGRADES
 ELECTRICAL

MOTOR STARTER SCHEMATIC
 LIFT PUMP P-L02

CITY DRAWING NUMBER: 1-0162L-E0014-001

SHEET 65 OF 109